

174259-1 ✓ ACTIVE

Econoseal, Econoseal J - Mark II

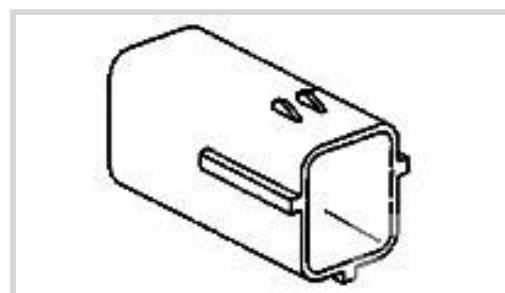
TE Internal #: 174259-1

Housing for Male Terminals, Wire-to-Wire, 4 Position, .189 in [4.8 mm] Centerline, Sealable, Gray, Signal, Cable Mount (Free-Hanging), Hybrid

[View on TE.com >](#)



Connectors > Automotive Connectors > Connector Housings > ECONOSEAL, CONNECTOR HOUSING



Connector & Housing Type: **Housing for Male Terminals**

Mating Tab Width: **1.8 mm [.071 in]**

Connector System: **Wire-to-Wire**

Number of Positions: **4**

Centerline (Pitch): **4.8 mm [.189 in]**

[All ECONOSEAL, CONNECTOR HOUSING \(90\)](#)

Features

Product Type Features

| | |
|--------------------------|----------------------------|
| Connector Shape | Rectangular |
| Connector & Housing Type | Housing for Male Terminals |
| Connector System | Wire-to-Wire |
| Sealable | Yes |
| Hybrid Connector | No |
| Primary Locking Feature | Integrated in Housing |

Configuration Features

| | |
|---------------------|---|
| Number of Positions | 4 |
| Number of Rows | 2 |

Electrical Characteristics

| | |
|------------------------------|--------|
| Operating Voltage | 12 VDC |
| Nominal Voltage Architecture | 12 V |

Body Features

| | |
|-----------------------|------|
| Cable Exit Angle | 180° |
| Body Material | PBT |
| Primary Product Color | Gray |



Contact Features

| | |
|------------------|-----------------|
| Contact Size | 1.8mm |
| Contact Type | Tab |
| Mating Tab Width | 1.8 mm[.071 in] |

Mechanical Attachment

| | |
|-----------------------------|----------------------------|
| Mounting Feature | Without |
| Terminal Position Assurance | Yes |
| Strain Relief | Without |
| Mating Alignment Type | Polarizing Rib |
| Mating Alignment | With |
| Connector Mounting Type | Cable Mount (Free-Hanging) |

Housing Features

| | |
|--------------------|-----------------|
| Centerline (Pitch) | 4.8 mm[.189 in] |
|--------------------|-----------------|

Dimensions

| | |
|--------------------|--------------------------------|
| Product Width | 18.3 mm[.72 in] |
| Product Length | 35.5 mm[1.398 in] |
| Product Height | 20.6 mm[.811 in] |
| Row-to-Row Spacing | 3 mm, 3.5 mm[.118 in][.138 in] |

Usage Conditions

| | |
|-----------------------------|---|
| Operating Temperature (Max) | 70 °C, 75 °C, 80 °C, 85 °C, 90 °C, 100 °C, 105 °C[158 °F][167 °F][176 °F][185 °F][194 °F][212 °F][221 °F] |
| Operating Temperature Range | -30 – 105 °C[-22 – 221 °F] |

Operation/Application

| | |
|---------------------|--------|
| Circuit Application | Signal |
|---------------------|--------|

Industry Standards

| | |
|------------------------|----------|
| UL Flammability Rating | UL 94V-2 |
|------------------------|----------|

Packaging Features

| | |
|--------------------|-----|
| Packaging Quantity | 100 |
| Packaging Method | Bag |

Other

| | |
|-------------|-----|
| Serviceable | Yes |
|-------------|-----|



Connector Position Assurance Capable

No

Product Compliance


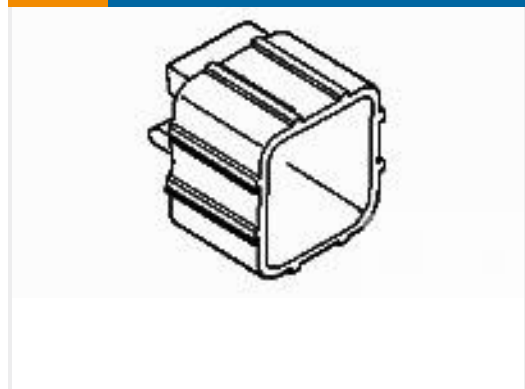

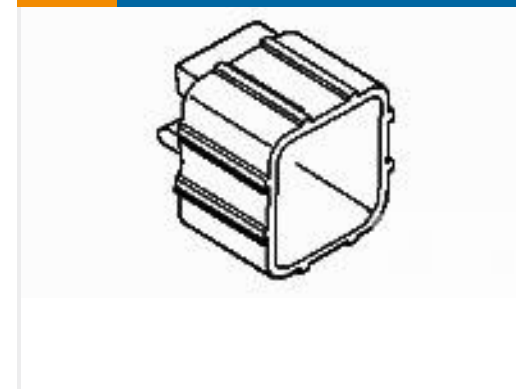
[For compliance documentation, visit the product page on TE.com>](#)

| | |
|---|---|
| EU RoHS Directive 2011/65/EU | Compliant |
| EU ELV Directive 2000/53/EC | Compliant |
| China RoHS 2 Directive MIIT Order No 32, 2016 | No Restricted Materials Above Threshold |
| EU REACH Regulation (EC) No. 1907/2006 | Current ECHA Candidate List: JUNE 2022 (224) Candidate List Declared Against: JUNE 2022 (224) Does not contain REACH SVHC |
| Halogen Content | Not Low Halogen - contains Br or Cl > 900 ppm. |
| Solder Process Capability | Not applicable for solder process capability |

Product Compliance Disclaimer

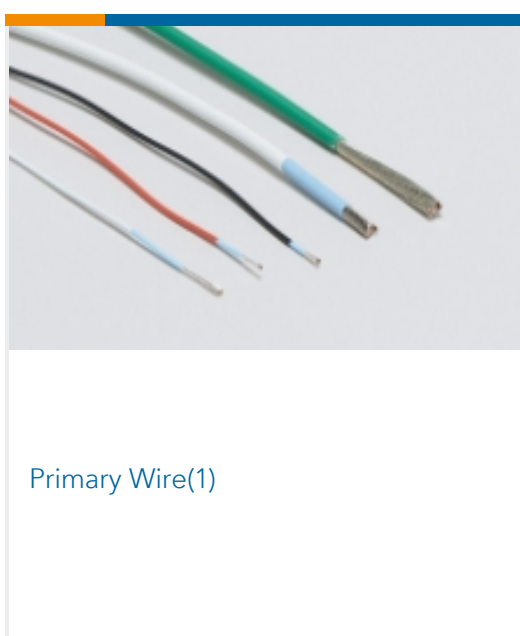
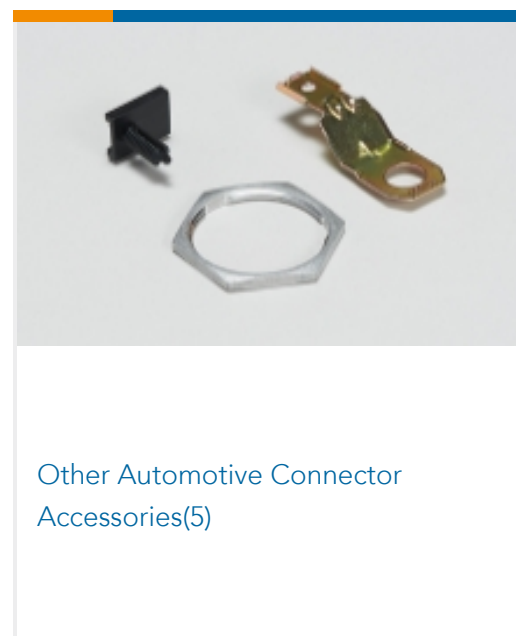
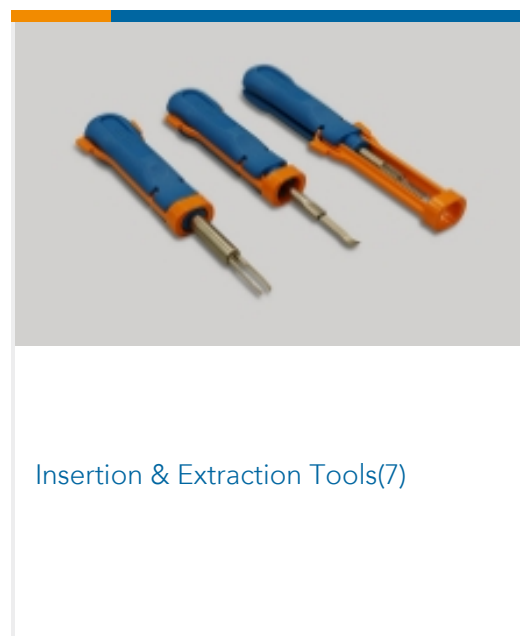
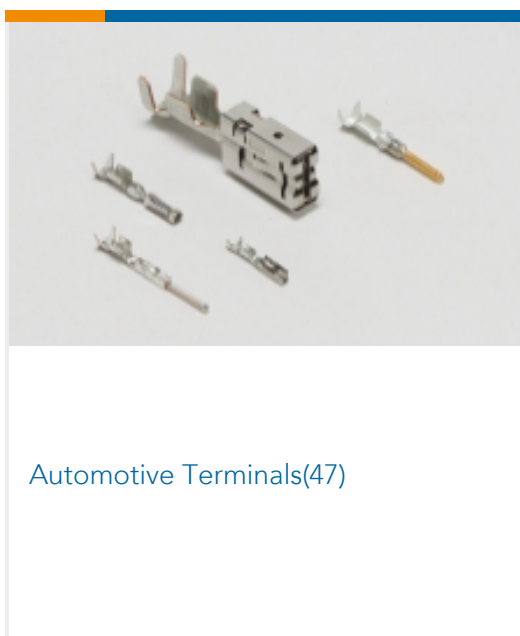
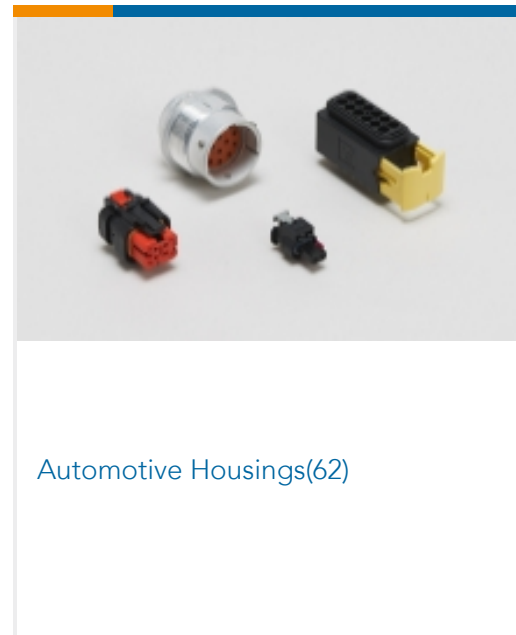
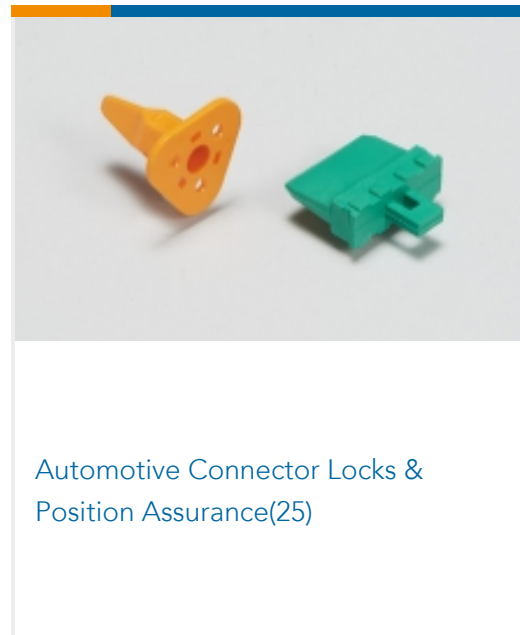
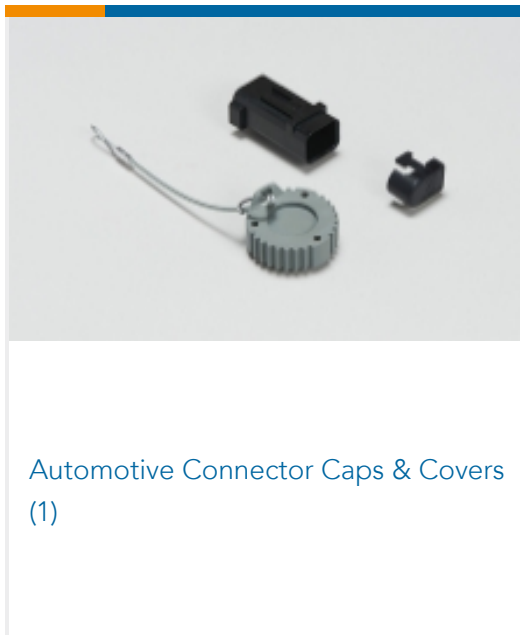
This information is provided based on reasonable inquiry of our suppliers and represents our current actual knowledge based on the information they provided. This information is subject to change. The part numbers that TE has identified as EU RoHS compliant have a maximum concentration of 0.1% by weight in homogenous materials for lead, hexavalent chromium, mercury, PBB, PBDE, DBP, BBP, DEHP, DIBP, and 0.01% for cadmium, or qualify for an exemption to these limits as defined in the Annexes of Directive 2011/65/EU (RoHS2). Finished electrical and electronic equipment products will be CE marked as required by Directive 2011/65/EU. Components may not be CE marked. Additionally, the part numbers that TE has identified as EU ELV compliant have a maximum concentration of 0.1% by weight in homogenous materials for lead, hexavalent chromium, and mercury, and 0.01% for cadmium, or qualify for an exemption to these limits as defined in the Annexes of Directive 2000/53/EC (ELV). Regarding the REACH Regulation, the information TE provides on SVHC in articles for this part number is based on the latest European Chemicals Agency (ECHA) 'Guidance on requirements for substances in articles' posted at this URL: <https://echa.europa.eu/guidance-documents/guidance-on-reach>

Compatible Parts

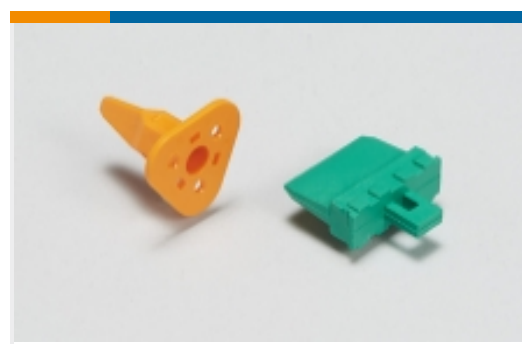
| | | | |
|---|---|---|--|
|  <p>TE Part # CAT-EC7491-CH8172 ECONOSEAL, CONNECTOR HOUSING</p> |  <p>TE Part # 1-174260-1 ECONO-J MK-2 LOCK PLATE CAP 4P</p> |  <p>TE Part # 1-900325-9 070 RUBBER PLUG M</p> |  <p>TE Part # 174260-7 EOCNO-J MK-2 LOCK PLATE CAP 4P</p> |
|---|---|---|--|



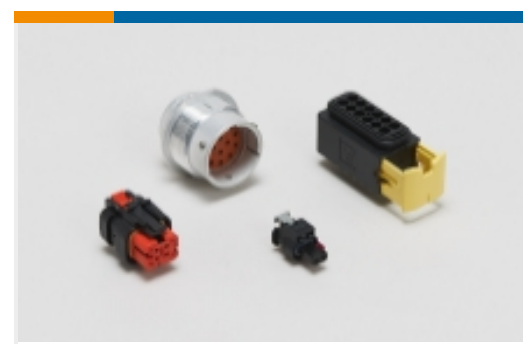
Also in the Series | Econoseal



Also in the Series | Econoseal J - Mark II



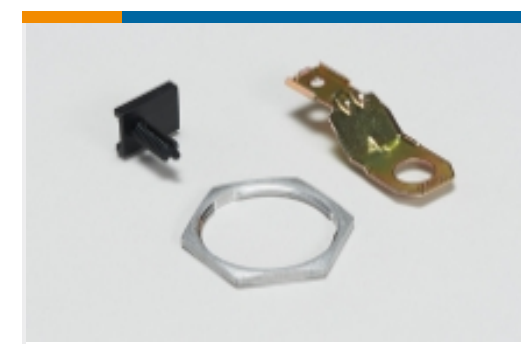
Automotive Connector Locks & Position Assurance(18)



Automotive Housings(41)



Automotive Seals & Cavity Plugs(8)



Other Automotive Connector Accessories(4)

Documents

Product Drawings

[E-J MK-2\(+\) 4P CAP HSG L-GRY](#)

Japanese

CAD Files

Customer View Model

[ENG_CVM_174259-1_D.3d_igs.zip](#)

English

Customer View Model

[ENG_CVM_174259-1_D.3d_stp.zip](#)

English

Customer View Model

[ENG_CVM_174259-1_D.2d_dxf.zip](#)

English

[3D PDF](#)

English

By downloading the CAD file I accept and agree to the [Terms and Conditions](#) of use.

Datasheets & Catalog Pages

[Econoseal Connector Series](#)

English

Product Specifications

[Crimping of AMP-ECONOSEAL "J"-II, .070 and .250 Series Contact](#)

English

[Application Specification](#)

English

Instruction Sheets

[ECONOSEAL J MARK II+ CONNECTOR \(EJ-MK II+\)](#)

English

[Customer Manual \(non U.S.\)](#)

English

[ECONOSEAL J MARK II+ CONNECTOR](#)

English

174259-1

Housing for Male Terminals, Wire-to-Wire, 4 Position, .189 in [4.8 mm] Centerline,
Sealable, Gray, Signal, Cable Mount (Free-Hanging), Hybrid



[Customer Manual \(non U.S.\)](#)

English